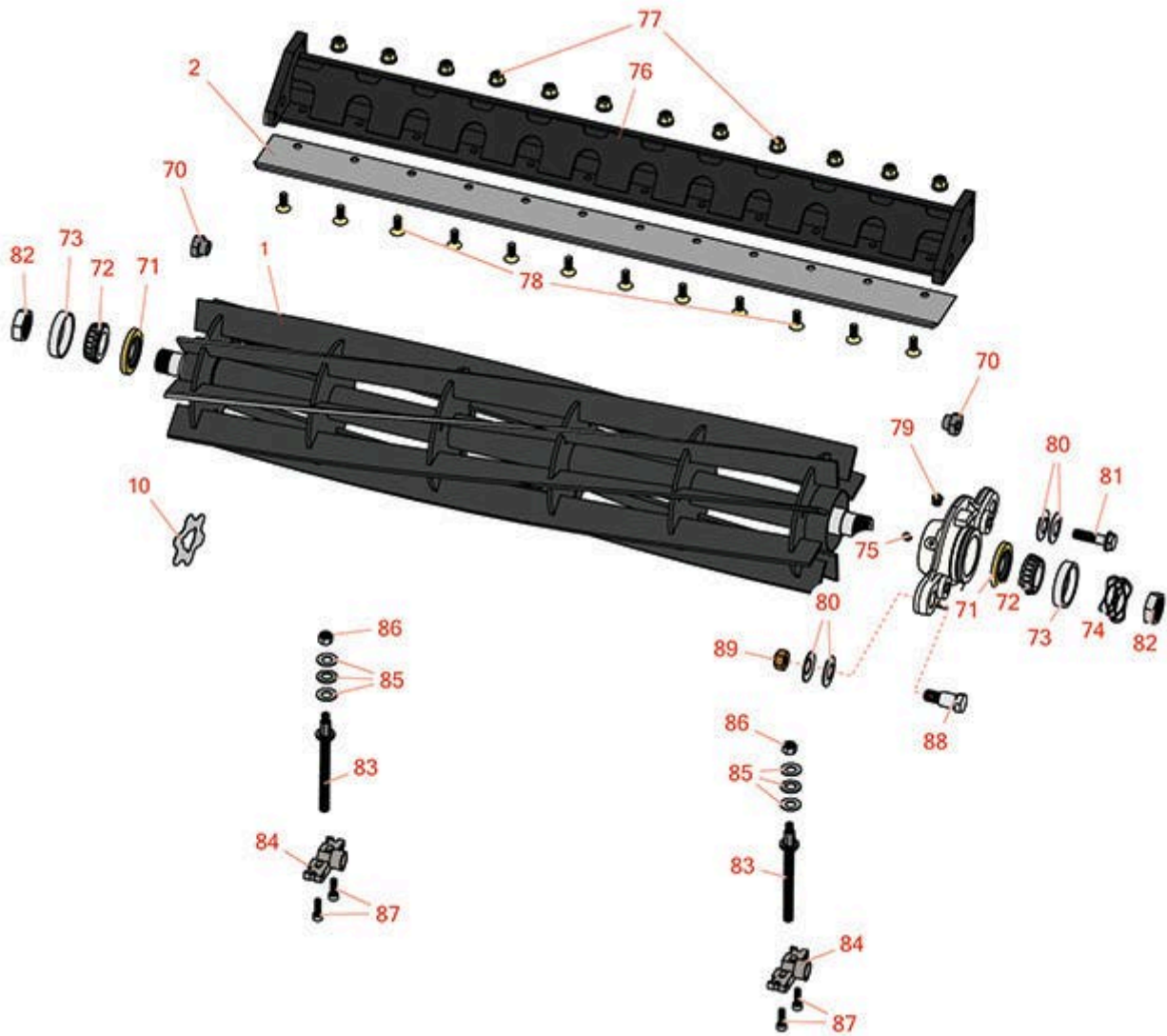




# Replaces John Deere 2653B Reel Mower Parts

Cutting Unit - Serial 030001 & up  
Reel & Bedknife



All original equipment manufacturers names and part numbers are used for identification purposes only, and we are in no way implying that our products are original equipment parts. Prices subject to change without notice.



# Replaces John Deere 2653B Reel Mower Parts

Cutting Unit - Serial 030001 & up  
Reel & Bedknife



Item No	R&R Part No.	OEM Part No.	Description	Qty Req	Order Quantity
<b>R&amp;R Reels, Lifetime Guaranteed</b>					
1	<b>RTCA19357</b>	TCA19357	Reel - 5 Blade 30 in	1	
1	<b>RTCA19355</b>	TCA19355	Reel - 5 Blade 26 in	1	
1	<b>RTCA19358</b>	TCA19358	Reel - 8 Blade 30 in	1	
1	<b>RTCA19356</b>	TCA19356	Reel - 8 Blade 26 in	1	
<b>R&amp;R Bedknives, Lifetime Guaranteed</b>					
2	<b>RMT1973</b>	MT1973	Bedknife - 30 in 12 Hole	1	
2	<b>RMT2396</b>	MT2396, MT6949	Bedknife - 26 in Low Cut 10 Hole	1	
2	<b>RET17752</b>	ET17752	Bedknife - 26 in 10 Hole	1	
<b>Blades</b>					
10	<b>RMT2624</b>	MT2624	Knife - Greens Conditioner	46	
70	<b>RTC28635</b>	TCU24555, TCU28635	Eccentric	2	
71	<b>RTC25266</b>	TCU25266	Seal	2	
72	<b>R254-94</b>	JD8933, TCU37582	Tapered Bearing Cone	2	
73	<b>R254-72</b>	JD8253	Cup - Bearing	2	
74	<b>R170610</b>	TCU26530	Spring - Compression	2	
75	<b>R302-5</b>	JD7797, JD7842, JD7844	Fitting - Grease	1	
76	<b>RAMT1051</b>	AMT1051	Backing Bar - 30 Bedknife	1	
77	<b>R14M7396</b>	14M7396	Locknut - Flanged Nyloc	12	

All original equipment manufacturers names and part numbers are used for identification purposes only, and we are in no way implying that our products are original equipment parts. Prices subject to change without notice.



# Replaces John Deere 2653B Reel Mower Parts

*Cutting Unit - Serial 030001 & up  
Reel & Bedknife*



Item No	R&R Part No.	OEM Part No.	Description	Qty Req	Order Quantity
78	<b>R19M7573</b>	19M7573	Screw - Bedknife M8-1.25 x 20	12	
79	<b>R170714</b>	E14814	Fitting - Pressure Relief	2	
80	<b>RET16678</b>	ET16678	Washer - Spring	8	
81	<b>R19M7804</b>	19M7804	Bolt - Flanged Hex M10-1.5 x 40	2	
82	<b>RTC26215</b>	TCU26215	Nut - Reel	2	
83	<b>RTC26123</b>	TCU26123	Adjuster	2	
84	<b>RTC28987</b>	TCU28987	Half Clamp - Roller Bkt	2	
85	<b>RET16679</b>	ET16679	Washer - Spring	6	
86	<b>RM148268</b>	M148268	Lock Nut	2	
87	<b>R19M8627</b>	19M8627	Screw - M6 x 20	4	
88	<b>RMT6338</b>	MT6338	Bolt - Shoulder	2	
89	<b>RA31867</b>	A31867	Locknut	2	

All original equipment manufacturers names and part numbers are used for identification purposes only, and we are in no way implying that our products are original equipment parts. Prices subject to change without notice.