

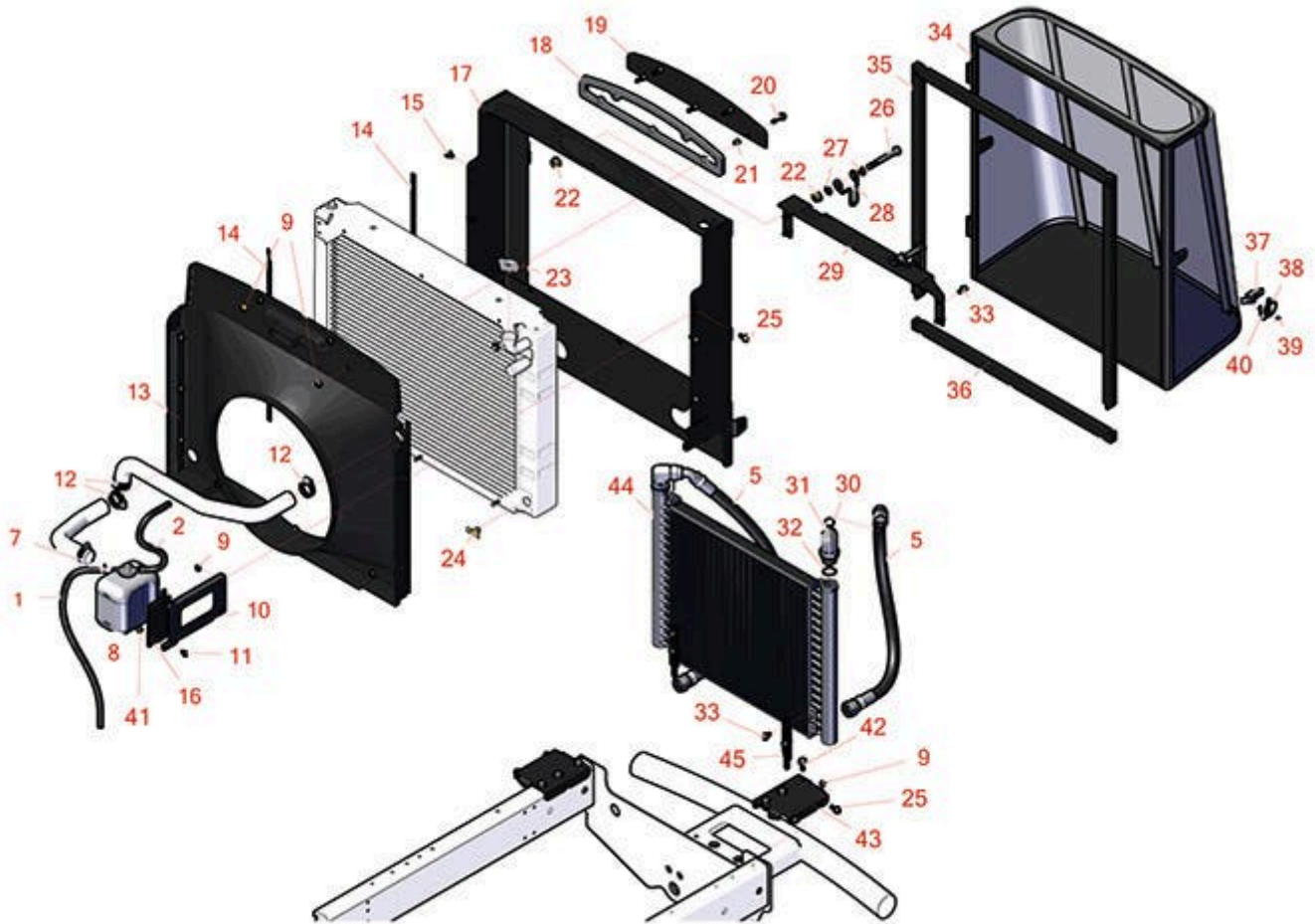


Replaces R&R Products Reel Max 744LP

Parts

Traction Unit

Radiator and Oil Cooler



All original equipment manufacturers names and part numbers are used for identification purposes only, and we are in no way implying that our products are original equipment parts. Prices subject to change without notice.



Replaces R&R Products Reel Max 744LP

Parts

Traction Unit

Radiator and Oil Cooler



Item No	R&R Part No.	OEM Part No.	Description	Qty Req	Order Quantity
Hoses					
1	R110-3257	R63-7630	Hose-Fuel	1	
2	R110-4104	R27-5340	Hose-Fuel	1	
5	R150975		Hydraulic Hose Assy	2	
Other Parts Available					
7	R92-2379		Clamp - Hose	3	
8	RX1G64272400	R104-9318, R105-3753, R98-9323, R98-9397	Kubota Tank - Reserve Assy	1	
9	R104-8300	R119-4041	Locknut - 5/16-18 Flanged Y/Zinc	18	
10	R108-1666-03		Bracket-Reservoir	1	
11	R3234-13	R960151P	Bolt - Flanged Hex 1/4-20	1	
12	R2412-129	R94-3188, R94-3189, R94-3193, R94-3203, R94-3204	Clamp - Worm 9/16-1 1/4	4	
13	R110-5311		Shroud - Radiator	1	
14	R110-8953		Seal - Foam - 18 in	4	
15	R3234-30		Bolt - Whiz Flange Hex HD 5/16-18 x 1/2	3	
16	R108-1665-03		Bracket-Reservior	1	
17	R110-5251-03		Frame-Radiator	1	
18	R110-5324		Seal-Foam	1	
19	R108-1843-03		Screen-Intake, Air	1	

All original equipment manufacturers names and part numbers are used for identification purposes only, and we are in no way implying that our products are original equipment parts. Prices subject to change without notice.



Replaces R&R Products Reel Max 744LP

Parts

Traction Unit

Radiator and Oil Cooler



Item No	R&R Part No.	OEM Part No.	Description	Qty Req	Order Quantity
20	R3234-36		Bolt - 5/16-18 x 1 1/4 Hx HD Flange	5	
21	R1-603903		Spacer	5	
22	R32128-49		Nut - 1/2-13 Hex Flange	4	
23	R93-5957		Cap - Radiator	1	
24	R304-46		Draincock	1	
25	R3234-5	R62-3310	Bolt - 5/16-18x3/4 Hx Ser Was HD	6	
26	R325-17	R01-150-0640, R01-150-0850, R01-178-0832, R01-178-0836, R20-97-AGD, R325-18, R48-9260	Bolt - Hex Head	2	
27	R455012	R41-8440	Washer - Flat 1/2 x 3/4	4	
28	R104-5429		Clamp - Form, Wire	2	
29	R104-5428	R104-5428-03	Bracket-Oil Cooler	1	
30	R237-58		O-Ring	2	
31	R340-142	R95-1692	Hydraulic Fitting - 90 Deg	2	
32	R237-146	R340-146	O-Ring	2	
33	R3234-14	R3234-23	Bolt - Hex Serrated Washer HD	8	
34	R110-5269-03		Screen Assy	1	
35	R110-5275		Seal-Foam-Radiator	2	
36	R110-5276		Seal-Foam-Radiator	2	
37	R115-1554	R105-3912	Latch-Draw	1	
38	R150977		Pin - 5/16 Lynch	1	

All original equipment manufacturers names and part numbers are used for identification purposes only, and we are in no way implying that our products are original equipment parts. Prices subject to change without notice.



Replaces R&R Products Reel Max 744LP Parts

*Traction Unit
Radiator and Oil Cooler*



Item No	R&R Part No.	OEM Part No.	Description	Qty Req	Order Quantity
39	R3269-4	R3269-3	Rivet - Rear Deflector	3	
40	RP25266		Hinge Teather - 6in Stainless	1	
41	R301504	R32127-24, R32146-17, R3296-16, R3296-42, R915661P, RM40333	Locknut - ESNA 1/4-20	1	
42	R32144-14	R32104-32, R32104-49	Bolt - Hex Washer 5/16-18 x 5/8	6	
43	R110-5310B		Bracket -Mounting - Black	2	
44	R150955	R110-0485	Cooler - Hydraulic Oil	1	
45	R104-5460-03		Plate-Mount, Oil Cooler	2	

All original equipment manufacturers names and part numbers are used for identification purposes only, and we are in no way implying that our products are original equipment parts. Prices subject to change without notice.