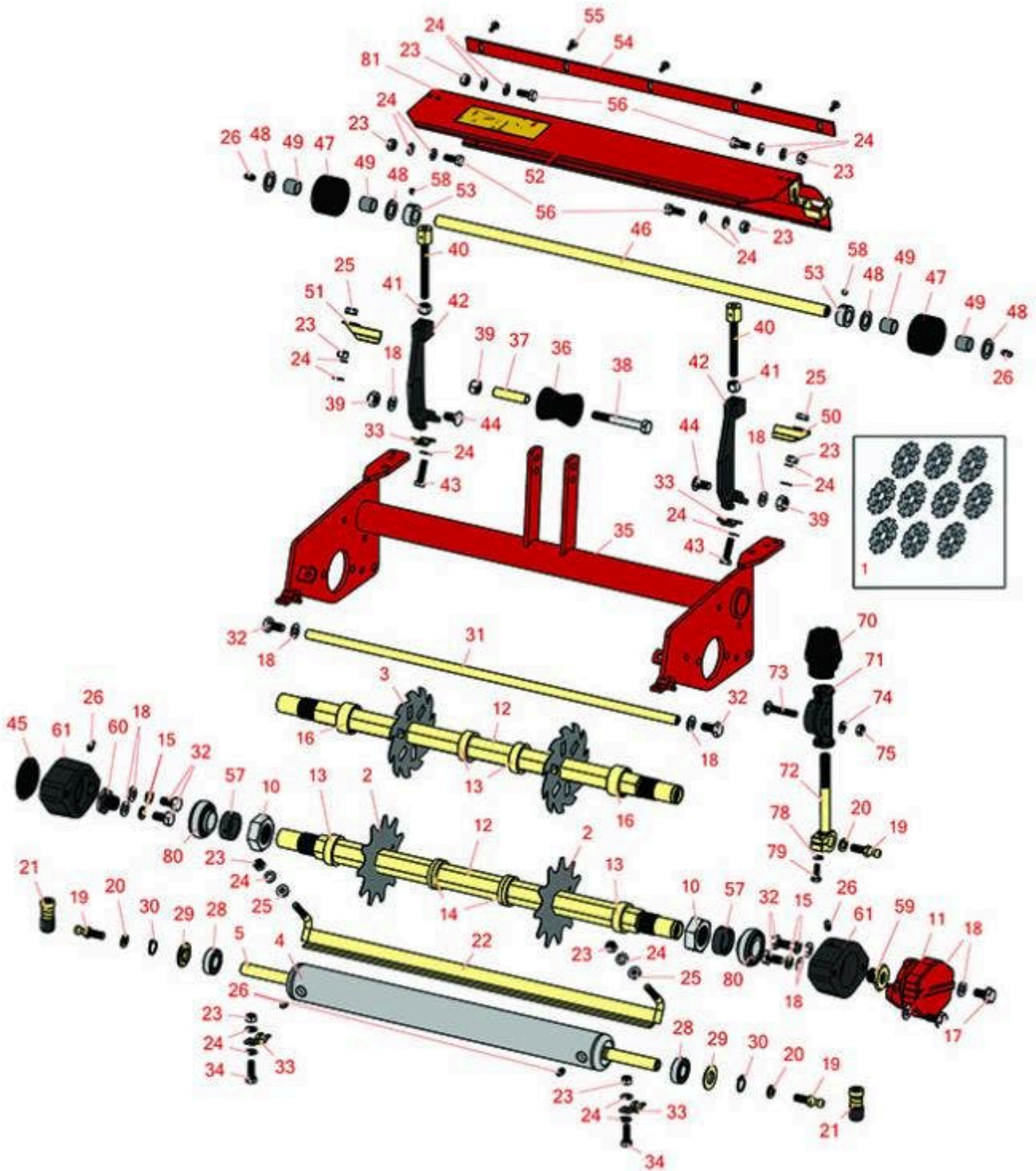




# Replaces Toro Greensmaster 3200 & 3200-D Parts

Dethatcher Unit - Models 04493 & 04496  
Dethatching Reel & Frame



All original equipment manufacturers names and part numbers are used for identification purposes only, and we are in no way implying that our products are original equipment parts. Prices subject to change without notice.



# Replaces Toro Greensmaster 3200 & 3200-D Parts

Dethatcher Unit - Models 04493 & 04496  
Dethatching Reel & Frame



Item No	R&R Part No.	OEM Part No.	Description	Qty Req	Order Quantity
---------	--------------	--------------	-------------	---------	----------------

## Overhaul Kits

1	<b>R106-6392</b>	106-6392	Verti-Cut Blade Kit - 2mm Carbide Tipped	0	
---	------------------	----------	--	---	--

*Tech Note: Includes Carbide Tipped Blades to rebuild 3 dethatching reels: 108 ea: R150209C Vertical Mower Blade:*

## Verti-Cut Blades

2	<b>R17-1590</b>	17-1590	Verti-Cut Blade	36	
3	<b>R150109C</b>	106-5422	Verti-Cut Blade - Carbide Tipped 1.2mm	36	
3	<b>R150209C</b>	106-6355	Verti-Cut Blade - Carbide Tipped 2mm	36	

## Rollers

4	<b>R95-5943</b>	95-5943	Roller - Front 2	1	
5	<b>R95-5946</b>	95-5946	Shaft - 2 Front Roller	1	

## Other Parts Available

10	<b>R3220-18</b>	3220-18, 67-5840	Nut - Jam V-Cut Shaft	2	
11	<b>R95-1642-01</b>	93-2570, 95-1642, 95-1642-01	Counterweight	1	
12	<b>R94-9202</b>	94-9202	Shaft - Vertical Mower	1	
13	<b>R17-1580</b>	17-1580	Spacer - V-Cut Reel 1/2	0	
14	<b>R17-1600</b>	17-1600	Spacer - V-Cut Reel 1/4	0	
15	<b>R48-9590</b>	01-176-0040, 42-9600, 48-9590, 48-9690, 63-7780	Washer - Lock 10mm	4	
16	<b>R82-6600</b>	82-6600	Spacer - V-Cut	2	

All original equipment manufacturers names and part numbers are used for identification purposes only, and we are in no way implying that our products are original equipment parts. Prices subject to change without notice.



# Replaces Toro Greensmaster 3200 & 3200-D Parts

*Dethatcher Unit - Models 04493 & 04496*

*Dethatching Reel & Frame*



Item No	R&R Part No.	OEM Part No.	Description	Qty Req	Order Quantity
17	<b>R93-2569</b>	93-2569	Bolt - Hex Washer Nyloc M10	2	
18	<b>R453011</b>	01-166-0100, 01-166-0120, 01-166-0270, 01-166-0500, 01-166-0600, 01-166-0620, 132-4593, 2356-3, 237-12, 24-10-AD, 24-11-AD, 24-11-BD, 24-12-AD, 24-12-BD, 30-9310, 32-8190, 3256-24, 3256-3, 3256-36, 3256-4, 453011, 47-9950, 48-9220, 513458, 7-0052	Washer - Flat 3/8 SAE Y/Zinc	8	
19	<b>R94-2958</b>	94-2958	Stud - Alloy Ball Joint	2	
20	<b>R3254-6</b>	01-166-0010, 01-166-0280, 01-166-0610, 3253-5, 3254-18, 3254-6, 3290-223, 48-9370	Washer - Lock 3/8	2	
21	<b>R99-1460</b>	2411-28, 2411-29, 2411-30, 2411-8, 8-7710, 94-2959, 99-1460	Receiver - Ball Joint	2	

All original equipment manufacturers names and part numbers are used for identification purposes only, and we are in no way implying that our products are original equipment parts. Prices subject to change without notice.



# Replaces Toro Greensmaster 3200 & 3200-D Parts

*Dethatcher Unit - Models 04493 & 04496*

*Dethatching Reel & Frame*



Item No	R&R Part No.	OEM Part No.	Description	Qty Req	Order Quantity
22	<b>R94-9226</b>	94-9226	Scraper - Front Roller	1	
23	<b>R33024-00</b>	33024-00	Locknut - 8mm x 1.25	8	
24	<b>R3256-74</b>	3256-74	Washer - Flat	14	
25	<b>R68-9400</b>	40-3880, 48-7930, 66-3090, 68-9400	Nut - 8mm x 1.25 Flanged	2	
25	<b>R33014-00</b>	33014-00, 42-9580	Nut - Jam 8mm x 1.25	2	
26	<b>R302-5</b>	21-6010, 302-11, 302-37, 302-47, 302-5, 302-57, 302-58, 302-6, 31-0300, 32-9660, 60-0800, 62-3880, 92-4181	Fitting - Grease	2	
28	<b>R85-9970</b>	85-9970	Bearing	2	
29	<b>R85-7190</b>	85-7190	Washer - Shield	2	
30	<b>R32151-12</b>	32151-12	Ring - Retaining 11/16	2	
31	<b>R93-2477</b>	93-2477, 98-2196	Rod - Grass Shield	1	
32	<b>R48-7770</b>	106-0276, 33115-020, 48-7770	Bolt - Hex HD M10 x 20	2	
33	<b>R99-8168</b>	95-1637, 99-8168	Collar - Bracket HOC	2	

All original equipment manufacturers names and part numbers are used for identification purposes only, and we are in no way implying that our products are original equipment parts. Prices subject to change without notice.



# Replaces Toro Greensmaster 3200 & 3200-D Parts

*Dethatcher Unit - Models 04493 & 04496  
Dethatching Reel & Frame*



Item No	R&R Part No.	OEM Part No.	Description	Qty Req	Order Quantity
34	<b>R57-6380</b>	33114-025, 48-9460, 60-4540	Bolt - Hex HD M8-1.25 x 25	2	
35	<b>R98-3587-01</b>	98-3587, 98-3587-01	Frame - Thatcher	1	
36	<b>R93-2463</b>	93-2463	Roller - Lift	1	
37	<b>R93-2464</b>	93-2464	Spacer - Roller	1	
38	<b>R33115-080</b>	33115-080	Bolt - Hex HD M10 x 80	1	
39	<b>R33025-00</b>	32025-00, 33025-00	Locknut - 10mm x 1.5 Jam	3	
40	<b>R95-1633</b>	95-1633	Adjustment - HOC	2	
41	<b>R3296-5</b>	3296-5	Locknut - 3/8-24 Jam Nylon	2	
42	<b>R95-1638</b>	95-1638	Bracket Only - HOC Adj	2	
42	<b>R99-6858</b>	99-6858	Bracket Assy - Rear Roller	2	
43	<b>R33114-030</b>	33114-030, 42-9520, 48-7730	Bolt - Hex HD M8-1.25 x 30	2	
44	<b>R33125-025</b>	33125-025	Bolt - Carriage M10 x 25 w/Nut	2	
45	<b>R150485</b>	2410-30, 2410-30OSS	Cap - Protective Bearing Housing	1	
46	<b>R94-9210</b>	94-9210	Shaft - Rear Roller	1	
47	<b>R94-9211</b>	94-9211	Wheel Assy - Rear Roller	2	
48	<b>R257-11</b>	257-11	Washer - Thrust Hardened	4	
49	<b>R95-7497</b>	95-7497	Bushing - Rear Roller Wheel	4	
50	<b>R94-9219</b>	94-9219	Scraper - Rear Roller - RH	1	

All original equipment manufacturers names and part numbers are used for identification purposes only, and we are in no way implying that our products are original equipment parts. Prices subject to change without notice.



# Replaces Toro Greensmaster 3200 & 3200-D Parts

*Dethatcher Unit - Models 04493 & 04496*

*Dethatching Reel & Frame*



Item No	R&R Part No.	OEM Part No.	Description	Qty Req	Order Quantity
51	<b>R94-9220</b>	94-9220	Scraper - Rear Roller - LH	1	
52	<b>R98-3551</b>	98-3551	Shield	1	
53	<b>R150328</b>	94-9213	Collar - Retaining 5/8	2	
54	<b>R36-7260</b>	36-7260	Bar - Cut Off Grass Shield	1	
55	<b>R32144-73</b>	104-2065, 32144-73	Screw - Machine Hex Washer Head	5	
56	<b>R66-3160</b>	33114-020, 43-0110, 48-7710, 66-3160	Bolt - Flanged Hex HD	2	
57	<b>R251-77</b>	251-77	Collar - Bearing	2	
58	<b>R3245-35</b>	3245-35	Screw - Set 1/4-28 x 1/4	2	
59	<b>R94-9214</b>	94-9214	Nut - Splined LH Thrd .812 Long	1	
60	<b>R93-1394</b>	93-1394	Nut - Splined RH Thrd .812 Long	1	
61	<b>R95-7148</b>	95-7148	Housing - Bearing Reel	2	
70	<b>R65-8600</b>	10-5040, 65-8600	Knob - Height Adjusting	2	
71	<b>R10-5060</b>	10-5060	Bracket - Roller Adj	2	
72	<b>R10-5010</b>	10-5010	Screw - Roller Adjustment	2	
73	<b>R441674</b>	01-173-0514, 01-173-0516, 3-7253, 3230-5	Screw - 5/16-18 x 1-3/4 Carriage	2	

All original equipment manufacturers names and part numbers are used for identification purposes only, and we are in no way implying that our products are original equipment parts. Prices subject to change without notice.



# Replaces Toro Greensmaster 3200 & 3200-D Parts

*Dethatcher Unit - Models 04493 & 04496*

*Dethatching Reel & Frame*



Item No	R&R Part No.	OEM Part No.	Description	Qty Req	Order Quantity
74	<b>R453009</b>	01-166-0400, 24-10-BD, 24-9-AD, 32-9650, 3256-2, 3256-23, 3256-3, 3256-67, 3290-217, 3556-3, 4-2390, 7-0152	Washer - Flat 5/16 SAE	0	
75	<b>R3296-29</b>	1-804256, 3290-357, 3296-29, 915662P	Locknut - 5/16-18 ESNA	0	
78	<b>R3253-3</b>	01-166-0070, 01-166-0410, 23-9-GD, 24-7150, 3253-3, 3256-1, 352-167	Washer - Lock 1/4	0	
79	<b>R321-4</b>	01-150-1030, 01-178-0406, 20-3-AGD, 321-4, 3222-1	Bolt - Hex HD 1/4-20 x 3/4	0	
80	<b>R71-1360</b>	251-219, 251-253, 251-254, 251-320, 71-1360, 88-7880, 94-3405	Bearing	2	
81	<b>R93-6688</b>	93-6688	Decal - Warning	1	

All original equipment manufacturers names and part numbers are used for identification purposes only, and we are in no way implying that our products are original equipment parts. Prices subject to change without notice.