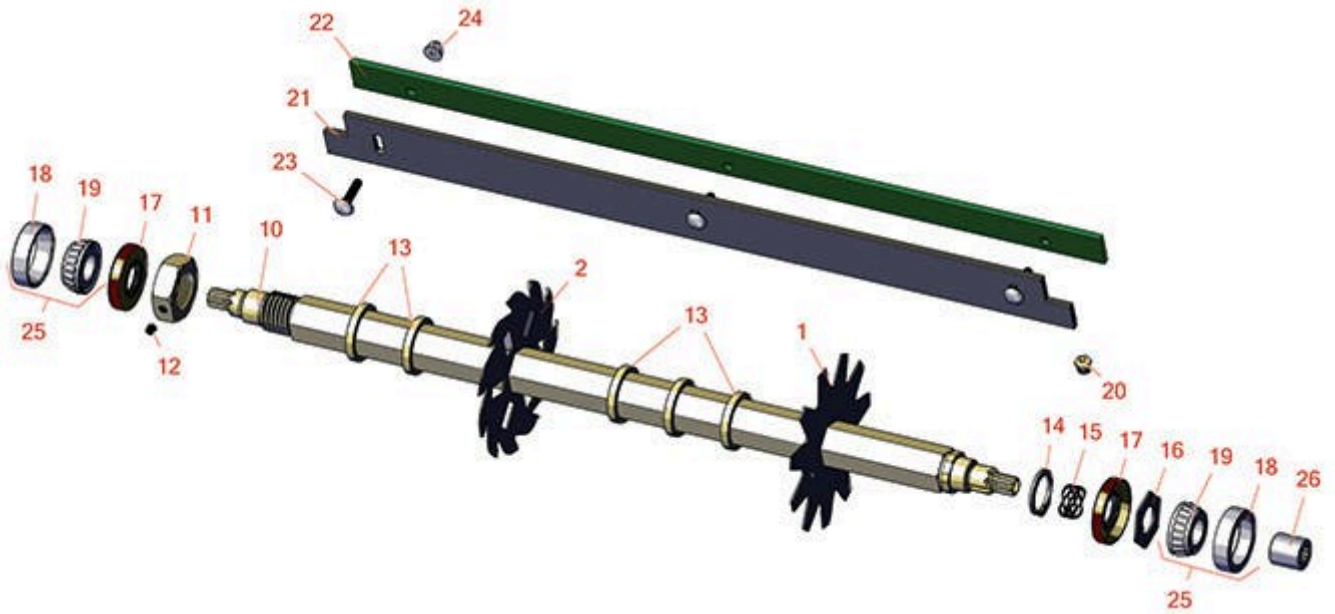




Replaces John Deere 3215A Reel Mower

Parts

Medium Verti-Cut Unit
Verti-Cut Reel & Frame



All original equipment manufacturers names and part numbers are used for identification purposes only, and we are in no way implying that our products are original equipment parts. Prices subject to change without notice.



Replaces John Deere 3215A Reel Mower

Parts

Medium Verti-Cut Unit
Verti-Cut Reel & Frame



Item No	R&R Part No.	OEM Part No.	Description	Qty Req	Order Quantity
---------	--------------	--------------	-------------	---------	----------------

Verti-Cut Blades

1	RAMT2703	AMT2703, ET17719	Blade - Vertical Mower	27	
2	R150209C	TCU26776	Verti-Cut Blade - Carbide Tipped 2mm	27	

*Detail Description: STRONG BY DESIGN. Each blade is made with the highest quality hand-picked steel, and laser-cut to our exacting specifications for superior toughness and wear.

TUNGSTEN CARBIDE TIPS. Protect blades from abrasion for extended life and maintain a consistent cutting depth. Optional cutting widths to meet local turf conditions.:*

Other Parts Available

10	RET17715	ET17715	Shaft - Vertical Mower	1	
11	RET17053	ET17053	Nut - 1-1/8-7 Jam Incl Set Screw	1	
12	R3245-35	22H841	Screw - Set 1/4-28 x 1/4	1	
13	RET17713	ET17713	Spacer - Vertical Mower Shaft	80	
14	RC17964	C17964	Ring - Retaining HD	1	
15	RET14592	ET14592	Spring - Reel Bearing	1	
16	RET16704	ET16704	Retainer	1	
17	RET14566	ET14566	Seal - Reel	2	
18	R254-79	JD8226	Cup - Bearing	2	
<i>Detail Description: Use R254-79M installation mandrel to properly install race.:</i>					
19	R254-78	JD8188	Tapered Bearing Cone	2	
20	R170714	E14814	Fitting - Pressure Relief	2	
21	RET17914	ET17914	Rubber Isolator - Verticut	1	
22	RAMT2704	AMT2704, MT169	Strap - Verticut Shield	1	

All original equipment manufacturers names and part numbers are used for identification purposes only, and we are in no way implying that our products are original equipment parts. Prices subject to change without notice.



Replaces John Deere 3215A Reel Mower Parts

Medium Verti-Cut Unit
Verti-Cut Reel & Frame



Item No	R&R Part No.	OEM Part No.	Description	Qty Req	Order Quantity
23	R03M7232	03M7232	Bolt - Carriage M6-1.0 x 25	3	
24	R14M7303	14M7303	Nut - 6mm x 1.0 Flanged	3	
25	R500534		Bearing - with Cup	2	
<i>Detail Description: Kit includes: 1 ea R254-78- Bearing Cone & R254-79 Bearing Cone:</i>					
26	RAET11038	AET11038, AET11039, AT11038	Coupler - V-Cut 8 Tooth	1	

All original equipment manufacturers names and part numbers are used for identification purposes only, and we are in no way implying that our products are original equipment parts. Prices subject to change without notice.