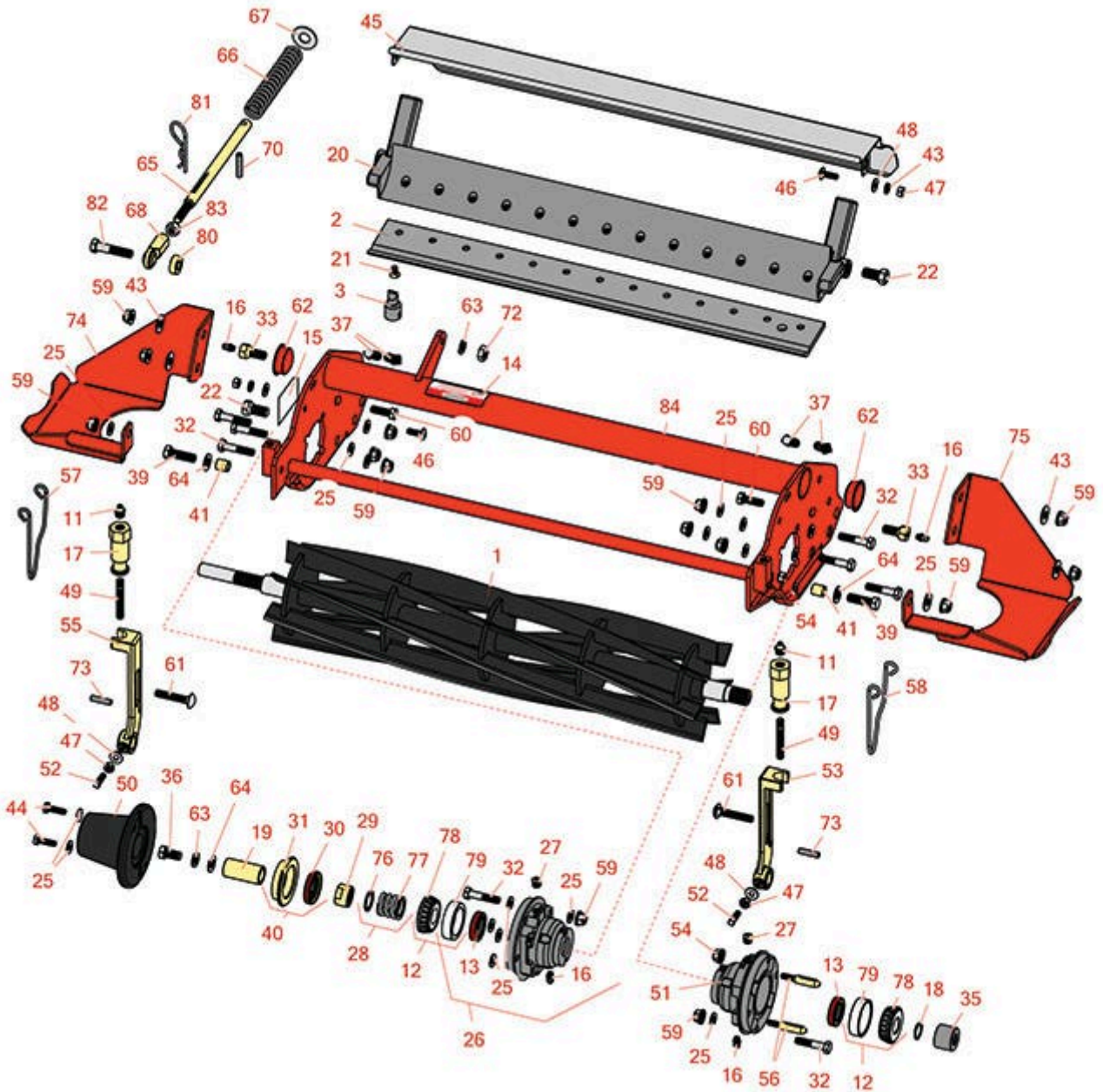




# Replaces Jacobsen LF-4675 Parts

5" Cutting Unit  
Reel & Bedknife



All original equipment manufacturers names and part numbers are used for identification purposes only, and we are in no way implying that our products are original equipment parts. Prices subject to change without notice.



# Replaces Jacobsen LF-4675 Parts

5" Cutting Unit  
Reel & Bedknife



Item No	R&R Part No.	OEM Part No.	Description	Qty Req	Order Quantity
---------	--------------	--------------	-------------	---------	----------------

### R&R Reels, Lifetime Guaranteed

1	R503319	5001095, 5003053, 503319	Reel - 7 Blade LH	1	
1	R503320	5001096, 5003054, 5003064, 503320	Reel - 7 Blade RH	1	
1	R503321	5001097, 503321	Reel - 5 Blade LH	1	
1	R503322	5001098, 503322	Reel - 5 Blade RH	1	

### R&R Bedknives, Lifetime Guaranteed

2	R5003150	5003150	Bedknife - Low Cut	1	
2	R503460	503257, 503460	Bedknife - 22 in 13 Hole	1	

### R&R Razor Tool Steel Bedknives, Lifetime Guaranteed

2	R101523		Bedknife - Razor Tool Steel - 22 High Cut	1	
---	---------	--	---	---	--

### Service Tools

3	R101272T		Bedknife Screw Driver Tool	0	
---	----------	--	----------------------------	---	--

*Tech Note: Easily install and remove bed knife screws with the help of a ratchet. Tool manufactured with hardened alloy steel.:*

### Other Parts Available

11	R471219	366852, 471219	Zerk - Grease	2	
12	R500534	500534, R500534	Bearing - with Cup	2	
13	R336962	336962	Seal	2	

All original equipment manufacturers names and part numbers are used for identification purposes only, and we are in no way implying that our products are original equipment parts. Prices subject to change without notice.



# Replaces Jacobsen LF-4675 Parts

5" Cutting Unit  
Reel & Bedknife



Item No	R&R Part No.	OEM Part No.	Description	Qty Req	Order Quantity
14	<b>R354083</b>	354083, 361877, 4127335	Decal - Danger	2	
15	<b>R1000997</b>	1000997	Decal - Warning	1	
16	<b>R302-5</b>	302-5, 471214, 471223, 471226	Fitting - Grease	2	
17	<b>R365009</b>	3005692, 365009, 365170, 441674	Knob - Adjusting Roller	2	
18	<b>R458013</b>	458013	Ring - Retaining	1	
19	<b>R367164</b>	367164	Spacer - Reel	1	
20	<b>R220278</b>	121856, 220278, 5000415	Backing Bar - Cast	1	
20	<b>R2000068</b>	2000068	Bed Bar	1	
21	<b>R101272</b>	101272, 3009138, 402578, 800813	Screw - Bedknife 1/4-20 x 1/2	13	
22	<b>R315298</b>	315298	Bolt - Bed Bar	2	
25	<b>R453009</b>	3256-23, 452004, 452006, 452008, 453009	Washer - Flat 5/16 SAE	1	
26	<b>R164144</b>	1000480, 163397, 164144, 2000060	Housing - Reel Bearing	1	

*Tech Note: Includes R336962 Seal, R302-5 Zerk, R170714 Relief Fitting & R254-79 Cup:*

All original equipment manufacturers names and part numbers are used for identification purposes only, and we are in no way implying that our products are original equipment parts. Prices subject to change without notice.



# Replaces Jacobsen LF-4675 Parts

5" Cutting Unit  
Reel & Bedknife



Item No	R&R Part No.	OEM Part No.	Description	Qty Req	Order Quantity
27	<b>R170714</b>	170714, 471240, 471242	Fitting - Pressure Relief	1	
28	<b>R5002151</b>	5002151	Hardware Kit - Spring/Washer	1	
<i>Tech Note: Includes 1 ea: R304745 Washer, R363047 Spring:</i>					
29	<b>R364900</b>	364900	Nut - Reel Tension	1	
30	<b>R337677</b>	315257, 337677	Seal - Oil	1	
31	<b>R363814</b>	163892, 363814	Spacer - Seal	1	
32	<b>R400192</b>	400192	Bolt - Hex HD 5/16-18 x 1-1/2	8	
33	<b>R1002224</b>	1002224	Bolt - Rear Roller 3/8-24	2	
<i>Tech Note: Incl Grease Zerk:</i>					
35	<b>R3001720</b>	3001720	Coupler - Iron - Hyd Motor	1	
36	<b>R400294</b>	400294	Screw - 3/8 24 x 3/4 Hex C/Zinc	1	
37	<b>R412506</b>	412503, 412506	Screw - Bed Bar Adjusting	4	
39	<b>R400264</b>	400264	Bolt - Hex HD 3/8-16 x 1-1/4	2	
40	<b>R163398</b>	163398, 163892	Seal - Spacer Assy	1	
41	<b>R345510</b>	345510	Spacer	2	
43	<b>R3253-3</b>	3253-3, 446128, 446130	Washer - Lock 1/4	4	
44	<b>R321-5</b>	321-5, 400110	Bolt - Hex HD 1/4-20 x 7/8	2	
45	<b>R2810043</b>	2810043	Shield - Grass	1	

All original equipment manufacturers names and part numbers are used for identification purposes only, and we are in no way implying that our products are original equipment parts. Prices subject to change without notice.



# Replaces Jacobsen LF-4675 Parts

5" Cutting Unit  
Reel & Bedknife



Item No	R&R Part No.	OEM Part No.	Description	Qty Req	Order Quantity
46	<b>R403782</b>	400018, 403782	Screw - 1/4-20 x 3/4 Truss Head	2	
47	<b>R443102</b>	443102	Nut - 1/4-20 Yellow Zinc	4	
48	<b>R453023</b>	453023	Washer - Flat 1/4	4	
49	<b>R343616</b>	343616, 443102	Stud	2	
50	<b>R2000065</b>	2000065	Weight - Counter	1	
51	<b>R1004786</b>	1004786	Housing - Bearing Quick Clip	1	
<i>Tech Note: Includes: R336962, R302-5, R254-79, R3010296, R32152-4 &amp; R170714:</i>					
52	<b>R352737</b>	352737	Screw - Set 1/4 x 7/8 Sq Head	2	
53	<b>R153980</b>	153980, 3008438	Bracket - Front Roller	1	
54	<b>R32152-4</b>	32152-4, 444708	Locknut - 1/4-20 All Metal	2	
55	<b>R153979</b>	153979, 3008439	Bracket - Front Roller	1	
56	<b>R3010296</b>	3010296	Pin - Motor Mounting	2	
57	<b>R2810165</b>	2810165, 2810166, 3010236, 3010636	Clip - Spring Motor	1	
58	<b>R2810166</b>	2810166, 3010637	Clip - Spring Motor	1	
59	<b>R445795</b>	445795	Nut - 5/16-18 Flanged	4	
60	<b>R322-5</b>	400188	Bolt - Hex HD 5/16-18 x 1	2	
61	<b>R441674</b>	441674	Screw - 5/16-18 x 1-3/4 Carriage	2	
62	<b>R285-14</b>		Plug - Pipe Frame	2	

All original equipment manufacturers names and part numbers are used for identification purposes only, and we are in no way implying that our products are original equipment parts. Prices subject to change without notice.



# Replaces Jacobsen LF-4675 Parts

5" Cutting Unit  
Reel & Bedknife



Item No	R&R Part No.	OEM Part No.	Description	Qty Req	Order Quantity
63	<b>R3254-6</b>	3254-6, 446140, 446142	Washer - Lock 3/8	2	
64	<b>R453011</b>	453011	Washer - Flat 3/8 SAE Y/Zinc	2	
65	<b>R3008593</b>	3008593	Shaft - Down Pressure	1	
66	<b>R311870</b>	311870	Spring - Compression	1	
67	<b>R453017</b>	452012, 453017	Washer - Flat 1/2	1	
68	<b>R366974</b>	366974	Bearing - Rod End	1	
70	<b>R461397</b>	461397	Pin - Roll 1/4 x 1-1/4	1	
72	<b>R443110</b>	306562, 443110, 444762	Nut - 3/8-16 Hex	1	
73	<b>R461256</b>	461256	Pin - 1/4 x 1	2	
74	<b>R3008200</b>	3008200	Skid - Motor RH Front Reel	1	
75	<b>R3008199</b>	3008199	Skid - Motor LH Front Reel	1	
76	<b>R304745</b>	304745	Washer - Reel	1	
77	<b>R363047</b>	348846, 363047	Spring - Reel	1	
78	<b>R254-78</b>	254-78, 385174, 4121174, 4135152	Tapered Bearing Cone	2	
79	<b>R254-79</b>	254-79, 4121175	Cup - Bearing	2	
<i>Tech Note: Use R254-79M installation mandrel to properly install race.:</i>					
80	<b>R352435</b>	352435	Spacer	1	
81	<b>R460312</b>	460312	Pin - Hair Cotter	1	

All original equipment manufacturers names and part numbers are used for identification purposes only, and we are in no way implying that our products are original equipment parts. Prices subject to change without notice.



# Replaces Jacobsen LF-4675 Parts

5" Cutting Unit  
Reel & Bedknife



Item No	R&R Part No.	OEM Part No.	Description	Qty Req	Order Quantity
82	<b>R400268</b>	400268	Bolt - Hex HD 3/8-16 x 1-3/4	1	
83	<b>R3219-3</b>	3219-3, 443112, 443812	Nut - 3/8-24	1	
84	<b>R5003087</b>	5003087	Frame - 5 Reel	1	

All original equipment manufacturers names and part numbers are used for identification purposes only, and we are in no way implying that our products are original equipment parts. Prices subject to change without notice.