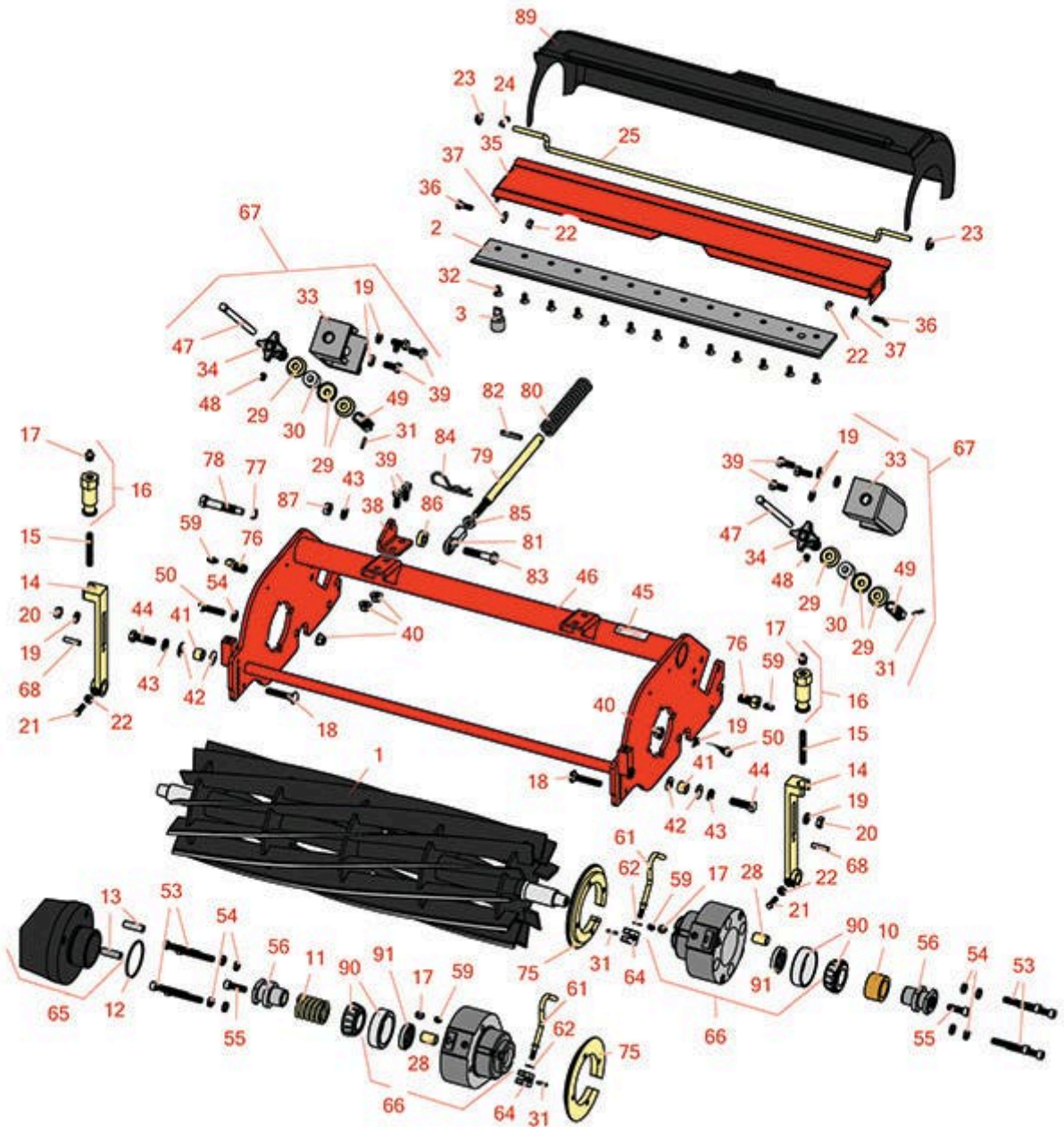




# Replaces Jacobsen LF-3407 Parts

7" Cutting Unit  
Reel & Bedknife



All original equipment manufacturers names and part numbers are used for identification purposes only, and we are in no way implying that our products are original equipment parts. Prices subject to change without notice.



# Replaces Jacobsen LF-3407 Parts

7" Cutting Unit  
Reel & Bedknife



Item No	R&R Part No.	OEM Part No.	Description	Qty Req	Order Quantity
---------	--------------	--------------	-------------	---------	----------------

### R&R Reels, Lifetime Guaranteed

1	R2810471	2810471	Reel - 9 Blade	1	
1	R5002762	2810472, 5002762	Reel - 11 Blade	1	

### R&R Bedknives, Lifetime Guaranteed

2	R503460	503257, 503460	Bedknife - 22 in 13 Hole	1	
---	---------	-------------------	--------------------------	---	--

### R&R Razor Tool Steel Bedknives, Lifetime Guaranteed

2	R101523		Bedknife - Razor Tool Steel - 22 High Cut	1	
---	---------	--	---	---	--

### Service Tools

3	R101272T		Bedknife Screw Driver Tool	0	
---	----------	--	----------------------------	---	--

*Tech Note: Easily install and remove bed knife screws with the help of a ratchet. Tool manufactured with hardened alloy steel.:*

### Other Parts Available

10	R3004800	3004800	Spacer - Hardened Reel	1	
11	R3004734	3004734	Spring - Compression	1	
12	R3006021	3006021	O-Ring	1	
13	R3006022	3006022	Pin - Hardened Counter Balance	2	
14	R3004738	3004738	Adjuster - Front Roller	2	
15	R343616	343616, 443102	Stud	2	
16	R365009	3005692, 365009, 365170, 441674	Knob - Adjusting Roller	2	

All original equipment manufacturers names and part numbers are used for identification purposes only, and we are in no way implying that our products are original equipment parts. Prices subject to change without notice.



# Replaces Jacobsen LF-3407 Parts

7" Cutting Unit  
Reel & Bedknife



Item No	R&R Part No.	OEM Part No.	Description	Qty Req	Order Quantity
17	<b>R170714</b>	170714, 471240, 471242	Fitting - Pressure Relief	4	
18	<b>R441674</b>	441674	Screw - 5/16-18 x 1-3/4 Carriage	2	
19	<b>R446136</b>	446134, 446136	Washer - Lock 5/16 Zinc	2	
20	<b>R443106</b>	443106	Nut - 5/16-18 Y/Zinc Plated	2	
21	<b>R352737</b>	352737	Screw - Set 1/4 x 7/8 Sq Head	2	
22	<b>R443102</b>	443102	Nut - 1/4-20 Yellow Zinc	4	
23	<b>R445525</b>	445525	Nut - 1/4 Pal	2	
24	<b>R3009281</b>	3009281	Spring - Torsion 22 Roller	1	
24	<b>R3005267</b>	3005267	Spring - Torsion 24 Roller	1	
25	<b>R3009280</b>	3009280	Scraper - 22 Rear Roller (Rod)	1	
25	<b>R3005316</b>	3005316	Scraper - 24 Rear Roller (Rod)	1	
28	<b>R545940</b>	2500759, 545940	Bushing	2	
29	<b>R3009892</b>	3009075, 3009892	Spacer - Cup	6	
30	<b>R3010470</b>	3008946, 3010470	Spring - Urethane	1	
31	<b>R012419</b>	461357, 461359	Pin - Roll 1/8 x 3/4	2	
32	<b>R101272</b>	101272, 3009138, 402578, 800813	Screw - Bedknife 1/4-20 x 1/2	13	
33	<b>R3004795</b>	3004795	Housing - Bed Knife Adj	1	

All original equipment manufacturers names and part numbers are used for identification purposes only, and we are in no way implying that our products are original equipment parts. Prices subject to change without notice.



# Replaces Jacobsen LF-3407 Parts

7" Cutting Unit  
Reel & Bedknife



Item No	R&R Part No.	OEM Part No.	Description	Qty Req	Order Quantity
34	<b>R2000125</b>	2000125, 2000215	Knob, Bedknife Adj.	2	
35	<b>R3006248</b>	3006248	Deflector	1	
36	<b>R321-4</b>	321-4, 400108	Bolt - Hex HD 1/4-20 x 3/4	2	
37	<b>R453023</b>	453023	Washer - Flat 1/4	2	
38	<b>R3008601</b>	3008601	Bracket - Spring Holddown	1	
39	<b>R400184</b>	400184, 400194	Screw - 5/16-18 x 3/4 Hex	2	
40	<b>R445795</b>	445795	Nut - 5/16-18 Flanged	2	
41	<b>R3006290</b>	3006290	Spacer - Hardened	2	
42	<b>R453011</b>	453011	Washer - Flat 3/8 SAE Y/Zinc	4	
43	<b>R3254-6</b>	3254-6, 446140, 446142	Washer - Lock 3/8	2	
44	<b>R400264</b>	400264	Bolt - Hex HD 3/8-16 x 1-1/4	2	
45	<b>R354083</b>	354083, 361877, 4127335	Decal - Danger	2	
46	<b>R5002609</b>	5002609	Frame	1	
47	<b>R3010472</b>	3004798, 3010472	Rod - Bedknife Adj	1	
48	<b>R422511</b>	422511	Screw - Set w/Nylon Plug	1	
49	<b>R3010471</b>	3004799, 3009894, 3010471	Bolt - Special	1	
50	<b>R434036</b>	434036	Screw - Soc HD 5/16-18 x 1-1/4	2	
53	<b>R434049</b>	434049	Bolt - Soc HD Cap 5/16-18 x 2	8	

All original equipment manufacturers names and part numbers are used for identification purposes only, and we are in no way implying that our products are original equipment parts. Prices subject to change without notice.



# Replaces Jacobsen LF-3407 Parts

7" Cutting Unit  
Reel & Bedknife



Item No	R&R Part No.	OEM Part No.	Description	Qty Req	Order Quantity
54	<b>R362643</b>	362643	Spacer - Brg Housing	8	
55	<b>R434004</b>	434003, 434004	Screw - Soc HD 5/16-18 x 1	2	
56	<b>R4166860</b>	3004737, 3010046, 4166860	Coupler	2	
59	<b>R302-5</b>	302-5, 471214, 471223, 471226	Fitting - Grease	2	
61	<b>R3006028</b>	3006028	Rod	2	
62	<b>R455066</b>	455066	Washer - M6 Flat	2	
64	<b>R4130092</b>	4130092	Block - Clamp	2	
65	<b>R2000135</b>	2000135	Casting - Weight - Counter Balance	1	
66	<b>R1002811</b>	1002811	Bearing Housing Assy	2	
67	<b>R1002532</b>	1002532	Adjusting Assy - Bedknife	2	
68	<b>R461256</b>	461256	Pin - 1/4 x 1	2	
75	<b>R3005210</b>	3005210	Ring - Retaining	2	
76	<b>R345470</b>	1002226, 345470	Bolt - Rear Roller 7/16-20	2	
<i>Tech Note: Incl. Grease Zerk:</i>					
77	<b>R454017</b>	454017	Shim - Bed Bar Bolt	2	
78	<b>R347169</b>	347169, 365501	Stud - Backing RH 2-5/16	2	
79	<b>R3008593</b>	3008593	Shaft - Down Pressure	1	
80	<b>R311870</b>	311870	Spring - Compression	1	
81	<b>R366974</b>	366974	Bearing - Rod End	1	

All original equipment manufacturers names and part numbers are used for identification purposes only, and we are in no way implying that our products are original equipment parts. Prices subject to change without notice.



# Replaces Jacobsen LF-3407 Parts

7" Cutting Unit  
Reel & Bedknife



Item No	R&R Part No.	OEM Part No.	Description	Qty Req	Order Quantity
82	<b>R461397</b>	461397	Pin - Roll 1/4 x 1-1/4	1	
83	<b>R400266</b>	400266	Bolt - Hex HD 3/8-16 x 1-1/2	1	
83	<b>R400268</b>	400268	Bolt - Hex HD 3/8-16 x 1-3/4	1	
84	<b>R460312</b>	460312	Pin - Hair Cotter	1	
85	<b>R3219-3</b>	3219-3, 443112, 443812	Nut - 3/8-24	1	
86	<b>R352435</b>	352435	Spacer	1	
87	<b>R443110</b>	306562, 443110, 444762	Nut - 3/8-16 Hex	1	
89	<b>R3005209</b>	3005209	Shield - Grass	1	
90	<b>R5002477</b>	5002477	Bearing - w/Cup	2	
91	<b>R3006030</b>	3006030	Seal	2	

All original equipment manufacturers names and part numbers are used for identification purposes only, and we are in no way implying that our products are original equipment parts. Prices subject to change without notice.