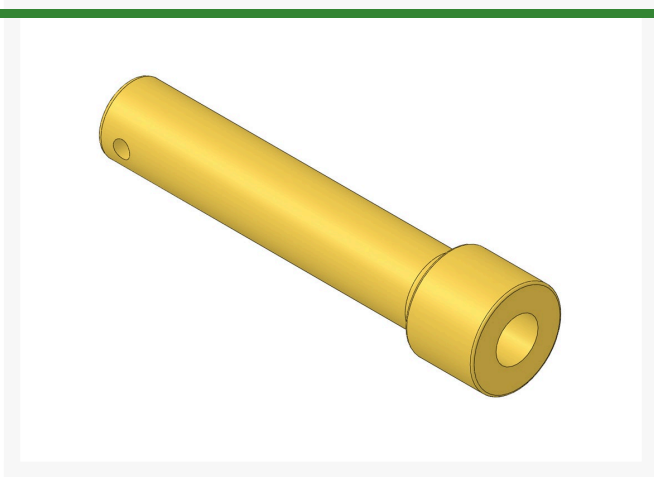




Mandrel - Bearing

R303558M



Details

R&R Mandrels allow proper installation of races, seals, bushings and bearings. Tools are constructed of solid steel and precision machined for exact fit.

Specifications

Manufacturer

R&R Products

Golfmech Ltd

Hullaghfin Balrath Navan, C15 VOFS
353 87 632 9827

<https://golfmech.rrproducts.com/>