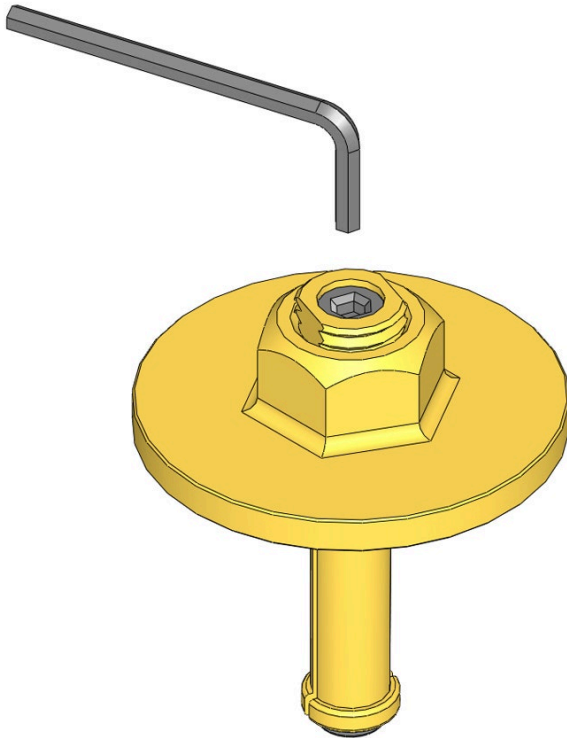




Ball Bearing Puller Assy

R256



Details

Designed to remove ball bearings from Toro style basket rollers.

Removes R251-141 Basket Roller bearings

- Puller fits R251-141 Basket Roller Bearings

Specifications

Manufacturer

R&R Products

Fits Models

Toro Greensmaster 3

Toro Greensmaster 300

Toro Greensmaster 3000

Replacement Parts

R256-1	Plate - Special Washer / Nut
R256-3	Bolt - Shoulder
R256-4	Mandrel - Spreader Hardened
R256-5	Nut - Spreader Hardened
RP203-16	Allen Wrench - 5/16



Golfmech Ltd

Hullaghfin Balrath Navan, C15 VOFS
353 87 632 9827

<https://golfmech.rproducts.com/>