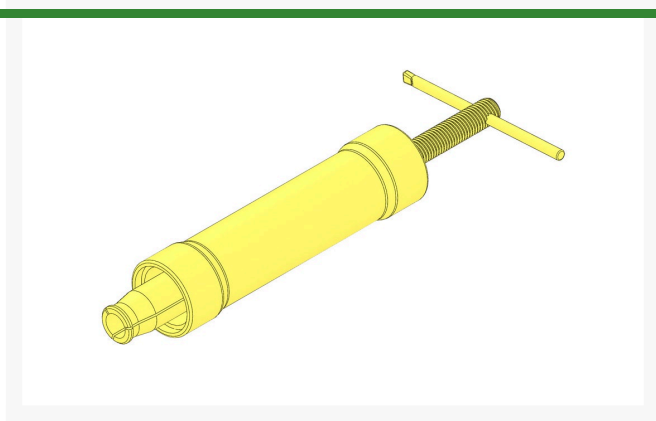




Tapered Bearing Race Puller - Removes A6157 Race R251



Details

R&R Products developed a special line of tools to remove tapered bearing races from rollers, gear boxes and the outer ball bearing races left inside roller ends, in case of a catastrophic bearing failure. The R&R Puller contains a mandrel and spreader which secures behind the tapered bearing race or to the inside ball bearing groove. The tube assembly, which contains its own tapered bearing pulling system, is then placed over the mandrel and spreader to easily remove the outer race. Mandrels and spreaders are manufactured by R&R Products from high carbon chromium vanadium steel and heat treated for maximum strength.

- Puller Fits A6157 Tapered Races from Jacobsen 2" Rollers
- Solid steel construction
- Internal bearing system for easy pulling

Specifications

Manufacturer R&R Products

Replacement Parts

R227	Spreader Mandrel - Hardened
R233	Bearing Puller Nut - Hardened
R234	Handle - Spreader Mandrel
R237	Outer Puller Tube Assy Only - 9-1/4 in
R252	Expanding Puller Tube Only - Fits R251

Golfmech Ltd

Hullaghfin Balrath Navan, C15 VOFS
353 87 632 9827

<https://golfmech.rrproducts.com/>