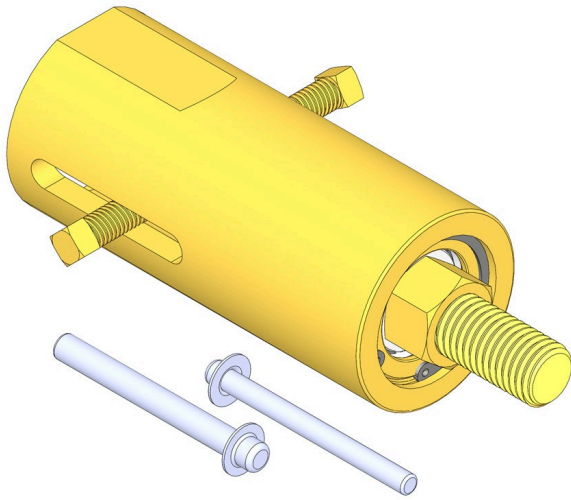




Bearing Puller

R245



Details

R&R "Water Pump Style" Bearing Puller fits R&R Part Numbers R101481, R101482, R21-6410, R21-8430, R52-3180, R52-3120, R311839, R361850, R75-1290, RAET10129.

- Fits 10 listed R&R bearings

Replaces

R&R Products R200

Specifications

Manufacturer R&R Products

Replacement Parts

R205	Pin - Hardened
R208	Pin - Hardened 1/4 x 3
R233	Bearing Puller Nut - Hardened
R246	Stud - Puller
R247	Tube - Outer Assy 5-1/2
R248	Screw - Set Sq Head

Golfmech Ltd

Hullaghfin Balrath Navan, C15 VOFS
353 87 632 9827

<https://golfmech.rrproducts.com/>