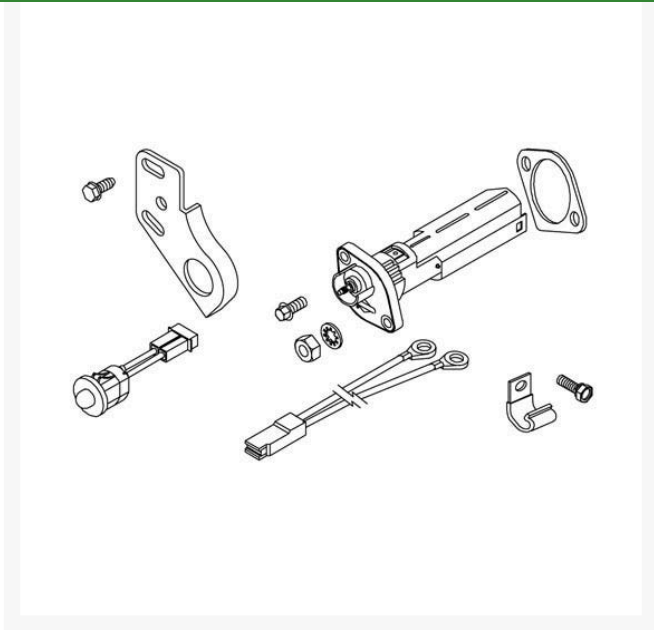




# B-S Kit-Oil Gard

RS492697



### Details

Oil Gard Kit 9 Gross HP Vanguard. Oil Gard automatically stops the engine if the oil level is too low. It can be added to I/C and Vanguard engines equipped to receive it. Models (horizontal crankshaft) - For 9 Gross HP Vanguard. NOTE: Magnetic oil drain plug recommended with Oil Gard

### Specifications

Manufacturer

Briggs & Stratton

### Golfmech Ltd

Hullaghfin Balrath Navan, C15 VOFS  
353 87 632 9827

<https://golfmech.rrproducts.com/>