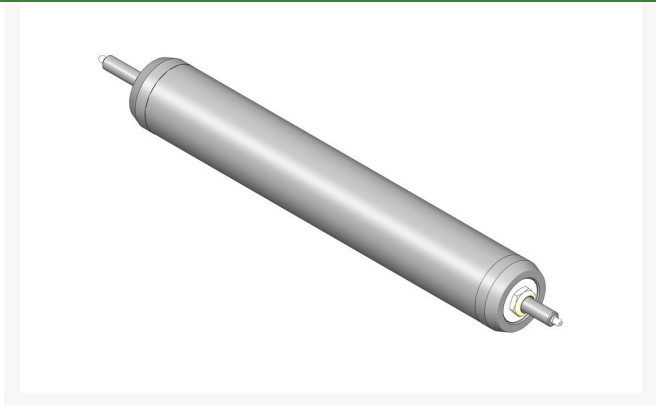




Roller - Smooth Tubular Steel

R150745



Details

Constructed with a through shaft, this heavy duty roller uses greasable tapered bearings for extended life. Shaft length measures 24-1/4" and body length measures 20".

Specifications

| | |
|--------------|--------------|
| Manufacturer | R&R Products |
| Roller Body | 3 in |
| Diameter | |
| Weight (lbs) | 15 lb |

Replacement Parts

| | |
|----------|--------------------------------|
| R150504 | Washer |
| R150713 | Shaft - Fits RR Rear Roller |
| R150726 | Roller End - Solid 3 |
| R253-117 | Seal - Outer Triple Lip |
| R253-152 | Seal - Inner Roller |
| R254-78 | Tapered Bearing Cone |
| R254-79 | Cup - Bearing |
| R302-5 | Fitting - Grease |
| R3296-15 | Locknut - 3/4-16 Nylon Jam |
| R5-4038 | Sleeve - Wear Reel Shaft |

Golfmech Ltd

Hullaghfin Balrath Navan, C15 VOFS
353 87 632 9827

<https://golfmech.rrproducts.com/>