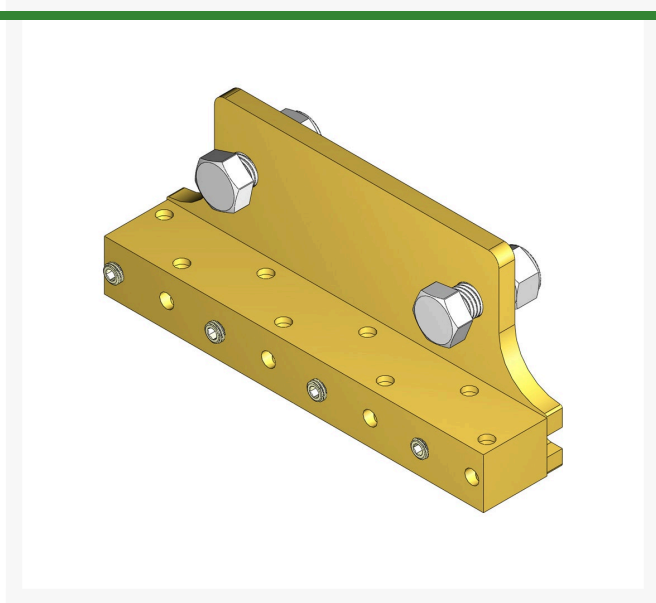




Tine Holder - Mini 8 Tine 3/8 Mt

R100-3693



Replaces

Toro 100-3693

Specifications

Manufacturer R&R Products

Fits Models

Toro ProCore 440
Toro ProCore 660
Toro ProCore 880

Replacement Parts

R100-3694	Screw - Set - 10mm x 1.5 x 25mm
R33028-00	Locknut - 16mm x 2.0 ESNA
R33098-00	Flatwasher - 16mm
R33118-045	Bolt - Hex HD M16-2.0 x 45

Golfmech Ltd

Hullaghfin Balrath Navan, C15 VOFS
353 87 632 9827

<https://golfmech.rrproducts.com/>