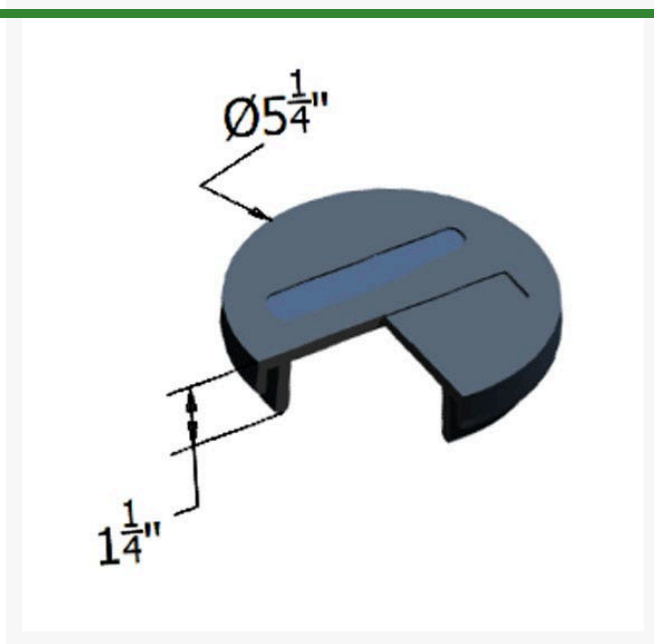




# Carson Lid Only 510 - Black Blank

RGC05104001



## Details

Replacement lid for the Carson 510 economy box. HDPE (high-density polyethylene) construction. UV inhibitors for long life and appearance. Made in USA.

## Specifications

Manufacturer	Carson
Indicator	Blank
Lid Color	Black

## Golfmech Ltd

Hullaghfin Balrath Navan, C15 VOFS  
353 87 632 9827

<https://golfmech.rproducts.com/>