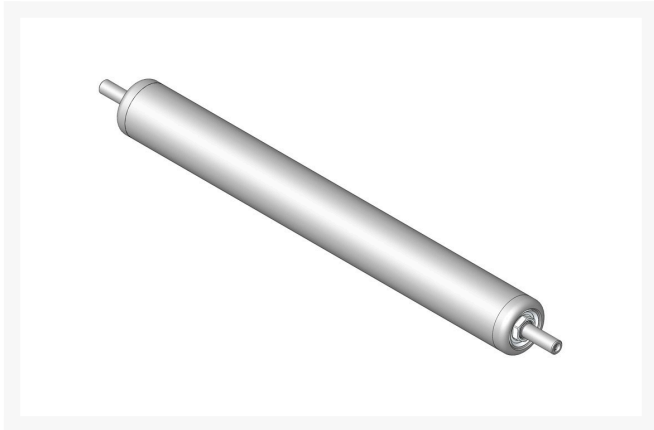




Roller - Smooth Tubular Steel 2-1/2 in Dia R115-7388



Details

Constructed with a through shaft, this steel roller uses a through shaft and ball bearings.

Replaces

Toro 115-7388

Specifications

Manufacturer	R&R Products
Overhaul Kit No.	R107-1594
Roller Body Diameter	2.5 in
Weight (lbs)	9 lb

Fits Models

- Toro Greensmaster 3050
- Toro Greensmaster 3100
- Toro Greensmaster 3120
- Toro Greensmaster 3150-Q
- Toro Greensmaster 3200 & 3200-D
- Toro Greensmaster 3250-D
- Toro Greensmaster TriFlex 3300
- Toro Greensmaster TriFlex 3320
- Toro Greensmaster eTriFlex 3360
- Toro Greensmaster eTriFlex 3370
- Toro Greensmaster TriFlex 3400
- Toro Greensmaster TriFlex 3420
- Toro Greensmaster eFlex 2100
- Toro Greensmaster eFlex 2120
- Toro Greensmaster Flex 2100
- Toro Greensmaster Flex 2120

Golfmech Ltd

Hullaghfin Balrath Navan, C15 VOFS
353 87 632 9827

<https://golfmech.rrproducts.com/>



Roller - Smooth Tubular Steel 2-1/2 in Dia R115-7388



Replacement Parts

R107-1594

Overhaul Kit - Roller

R119-4090

Shaft - Roller -
Hardened

R251-347

Bearing - Ball

R106-6941

Seal - Double Lip

R106-6942

V-Ring - Roller

R108-3151

Locknut - Roller -
Stainless

Golfmech Ltd

Hullaghfin Balrath Navan, C15 VOFS
353 87 632 9827

<https://golfmech.rrproducts.com/>