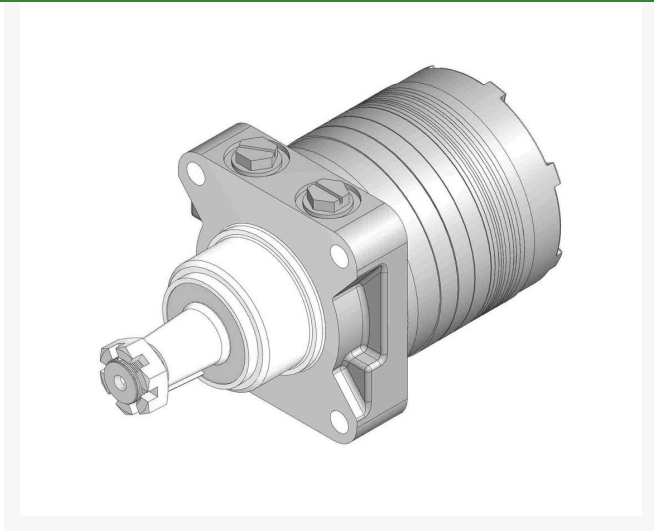




# Hydraulic Motor

## R10-8010



### Replaces

Jacobsen	121709
R&R Products	R121709, R503570
Toro	10-8010

### Specifications

Manufacturer	R&R Products
--------------	--------------

### Fits Models

- Excel Hustler
- Jacobsen Greens King IV
- Jacobsen Trim King
- Toro Greensmaster 3
- Toro Greensmaster 300
- Toro Greensmaster 3000

## Golfmech Ltd

Hullaghfin Balrath Navan, C15 VOFS  
353 87 632 9827

<https://golfmech.rrproducts.com/>