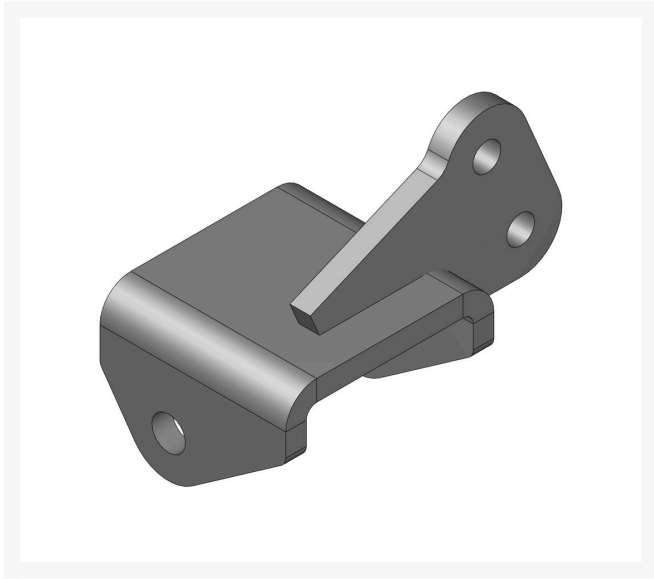




Bracket Assy - Tool Bar

R112-6468-03



Replaces

Toro 112-6468-03

Specifications

Manufacturer R&R Products

Fits Models

- R&R Products Sand Max 416
- R&R Products Sand Max 516
- R&R Products Sand Max 518
- R&R Products Sand Max 521LP
- Toro Sand Pro 3040
- Toro Sand Pro 5040

Golfmech Ltd

Hullaghfin Balrath Navan, C15 VOFS
353 87 632 9827

<https://golfmech.rrproducts.com/>