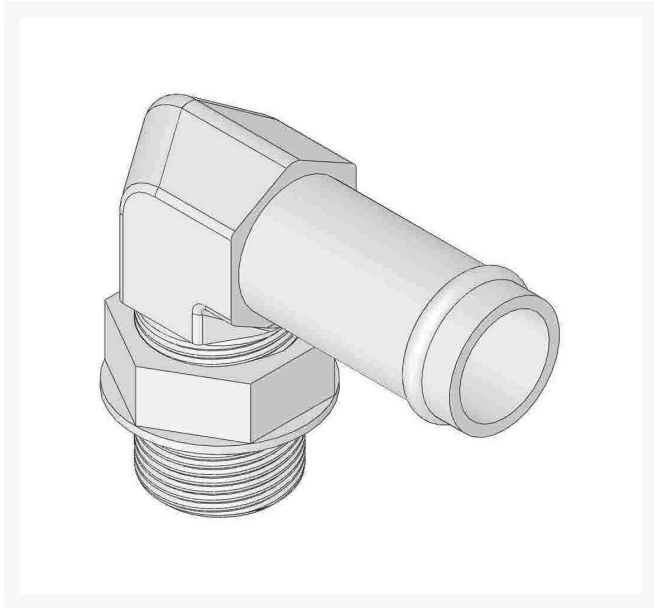




# Hydraulic Fitting - Push 90 Deg

R95-0629



## Replaces

Exmark	87-8170
R&R Products	R87-8170
Toro	87-8170, 95-0629

## Specifications

Manufacturer	R&R Products
--------------	--------------

## Fits Models

Exmark Lazer Z S-Series  
R&R Products Sand Max 216  
R&R Products Sand Max 316  
R&R Products Sand Max 416  
R&R Products Sand Max 516  
R&R Products Sand Max 518  
R&R Products Sand Max 521LP  
Toro Groundsmaster 3280-D  
Toro Sand Pro 2020  
Toro Sand Pro 3020  
Toro Sand Pro 3040  
Toro Sand Pro 5020  
Toro Workman 3100  
Toro Workman 3120  
Toro Workman HD  
Toro Workman HDX-Auto  
Toro Z Master Professional 7500-D

## Golfmech Ltd

Hullaghfin Balrath Navan, C15 VOFS  
353 87 632 9827

<https://golfmech.rrproducts.com/>