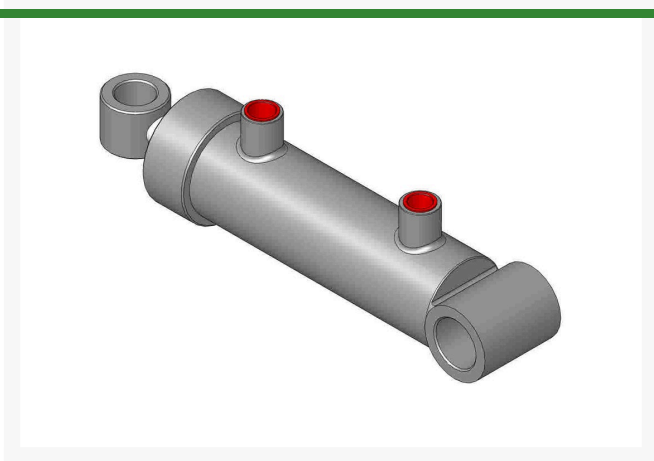




Hydraulic Cylinder - Front C/Rear

R93-9310



Replaces

R&R Products	R108-4436, R75-0780, R85-9880, R98-3945
Toro	108-4436, 75-0780, 93-9310

Specifications

Manufacturer	R&R Products
--------------	--------------

Fits Models

- Toro Reelmaster 223D
- Toro Reelmaster 3550-D
- Toro Reelmaster 3555-D
- Toro Reelmaster 3575-D
- Toro Reelmaster 5100-D
- Toro Reelmaster 5200D
- Toro Reelmaster 5300-D
- Toro Reelmaster 5400D
- Toro Reelmaster 5500-D

Replacement Parts

R86-7330	Overhaul Kit - Cylinder
----------	-------------------------

Golfmech Ltd

Hullaghfin Balrath Navan, C15 VOFS
353 87 632 9827

<https://golfmech.rrproducts.com/>