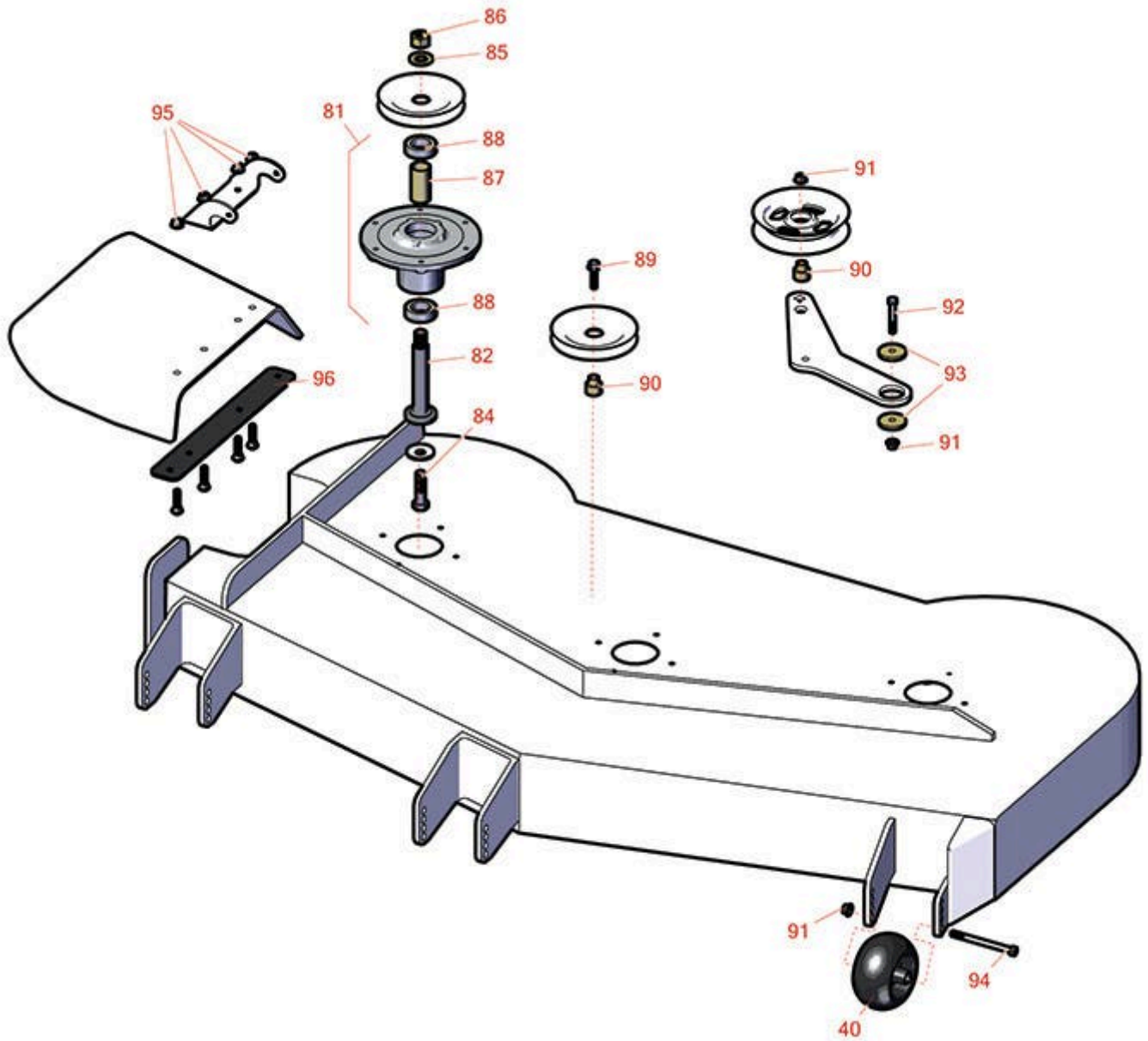




Replaces Toro Proline Commercial Walk-Behind Mower Parts

Mower with 122cm Floating Cutting Unit - 44424TE
Deck Parts



All original equipment manufacturers names and part numbers are used for identification purposes only, and we are in no way implying that our products are original equipment parts. Prices subject to change without notice.



Replaces Toro Proline Commercial Walk-Behind Mower Parts

Mower with 122cm Floating Cutting Unit - 44424TE
Deck Parts



Item No	R&R Part No.	OEM Part No.	Description	Qty Req	Order Quantity
Tires & Wheels					
40	R68-2730	1-603299, 68-2730	Wheel - Anti Scalp	2	
Other Parts Available					
81	R139-2357	120-5477, 139-2357	Spindle Assy	3	
82	R115-2642	115-2642	Shaft- Spindle	3	
84	R51-4060	51-4060	Bolt - Blade	3	
85	R7-4150	7-4150	Washer	3	
86	R3219-7	01-158-0600, 01-188-1216, 215-46, 22-18-BJC, 3219-7	Nut- 3/4-16 GR8 Hex	3	
87	R138-7220	138-7220	Spacer - Bearing	3	
88	R116-0720	116-0720	Bearing - Ball - Special Triple Seal	6	
89	R3234-19	3234-19	Bolt - Hex Washer 3/8-16x1-3/4	2	
90	R138-7227	138-7227	Bushing - Idler	3	
91	R104-8301	104-8301, 104-9301, 109-6658, 133-7570	Locknut - 3/8-16 Nylon Flanged	5	
92	R323-11	01-150-1440, 01-178-0618, 20-52-AD, 3224-7, 323-11	Bolt - 3/8-16 x 2 1/4 GR5	1	
93	R110-9981	110-9981	Washer-Plain	3	

All original equipment manufacturers names and part numbers are used for identification purposes only, and we are in no way implying that our products are original equipment parts. Prices subject to change without notice.



Replaces Toro Proline Commercial Walk-Behind Mower Parts

Mower with 122cm Floating Cutting Unit - 44424TE
Deck Parts



Item No	R&R Part No.	OEM Part No.	Description	Qty Req	Order Quantity
94	R323-23	01-150-0810, 01-178-0636, 20-60-AGD, 323-23	Bolt - Hex HD 3/8-16 x 4-1/2	2	
95	R104-8300	104-8300, 104-8300 , 119-4041	Locknut - 5/16-18 Flanged Y/Zinc	11	
96	R115-5048-03	115-5048-03	Plate - Deflector	1	

All original equipment manufacturers names and part numbers are used for identification purposes only, and we are in no way implying that our products are original equipment parts. Prices subject to change without notice.