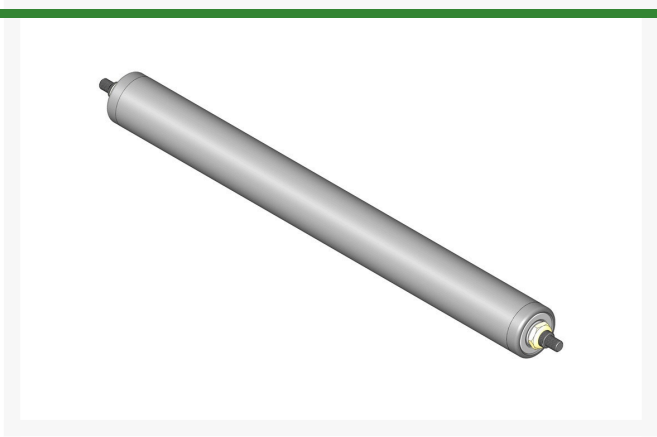




Roller - Smooth 2-3/8 x 25

R5014-25



Specifications

Manufacturer

R&R Products

Replacement Parts

R150674

Sleeve - Wear 3/4

Plated

R253-117

Seal - Outer Triple Lip

R253-122

Seal

R254-78

Tapered Bearing Cone

R254-79

Cup - Bearing

R3296-15

Locknut - 3/4-16 Nylon

Jam

R500648

Roller End - 2-3/8 Solid

R5104-25-SHA

Shaft

Golfmech Ltd

Hullaghfin Balrath Navan, C15 VOFS

353 87 632 9827

<https://golfmech.rrproducts.com/>